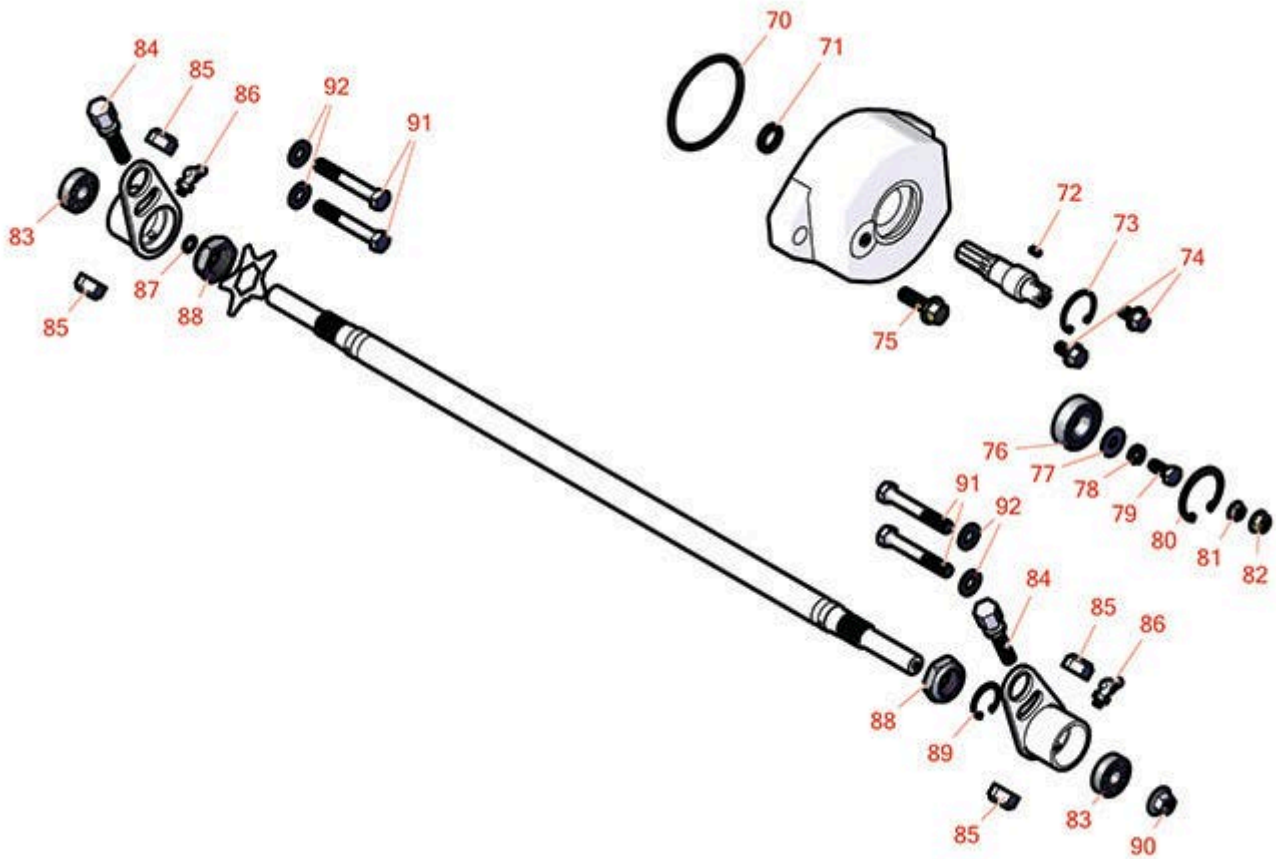




# Replaces Toro Reelmaster 5100-D Parts

Verti-Cut Unit - Model 03516

Left-Hand Groomer Kit - Model 03810



All original equipment manufacturers names and part numbers are used for identification purposes only, and we are in no way implying that our products are original equipment parts. Prices subject to change without notice.



# Replaces Toro Reelmaster 5100-D Parts

Verti-Cut Unit - Model 03516

Left-Hand Groomer Kit - Model 03810



Item No	R&R Part No.	OEM Part No.	Description	Qty Req	Order Quantity
70	<b>R93-9783</b>	93-9783	O-Ring - Reel	1	
71	<b>R253-83</b>	253-83	Seal - Oil 7/8 OD x 5/8 ID	1	
72	<b>R95-9619</b>	95-9619	Key - Square 1/8 x 1/8 x 5/16	1	
73	<b>R458461</b>	32151-34	Snap Ring	1	
74	<b>R3234-14</b>	3234-14, 3234-23	Bolt - Hex Serrated Washer HD	3	
75	<b>R3234-24</b>	3234-24, 3234-8, 3234.24, 66-9301	Bolt - Hex Ser Was HD 3/8-16 x 1-1/4	2	
75	<b>R33105-030</b>	33105-030	Bolt - Hex Washer M10	2	
76	<b>R38-7820</b>	100-1048, 251-277, 251-5, 38-7820	Bearing - Ball	1	
76	<b>R343667</b>	109966, 251-6, 38-7820	Bearing - Ball	1	
77	<b>R88-7200</b>	88-7200	Washer - Flat	1	
78	<b>R3253-4</b>	01-166-0110, 01-166-0510, 23-10-GD, 24-7170, 30-8520, 3253-4, 48-9350, 48-9360, 48-9570, 68-9420, 99-7577	Washer - Lock 5/16 Zinc	1	

All original equipment manufacturers names and part numbers are used for identification purposes only, and we are in no way implying that our products are original equipment parts. Prices subject to change without notice.



# Replaces Toro Reelmaster 5100-D Parts

*Verti-Cut Unit - Model 03516*

*Left-Hand Groomer Kit - Model 03810*



Item No	R&R Part No.	OEM Part No.	Description	Qty Req	Order Quantity
79	<b>R322-3</b>	01-150-1420, 01-178-0506, 20-24-AD, 20-24-AGD, 322-3, 48-9270, 513339, 908017P	Bolt - Hex HD 5/16-18 x 3/4	1	
79	<b>R400184</b>	322-2, 322-3	Screw - 5/16-18 x 3/4 Hex	1	
80	<b>RA170040</b>	32120-42, 52-6640, 74-9900, SG427625	Ring - Snap	1	
81	<b>R445795</b>	30-4020, 32128-25	Nut - 5/16-18 Flanged	2	
82	<b>R104-8300</b>	104-8300, 104-8300 , 119-4041	Locknut - 5/16-18 Flanged Y/Zinc	2	
83	<b>R95-0707</b>	95-0707	Bearing - Self Aligning	2	
84	<b>R110-7352</b>	110-7352	Screw - HOC 2 5/8 Stainless	2	
85	<b>R3296-48</b>	119-4039, 32146-7, 3296-34, 3296-48	Locknut - 7/16-14 ESNA	2	
86	<b>R700414</b>	302-11, 302-19, 302-4, 32-8170	Zerk - Grease 1/4-28 45 Deg	1	

All original equipment manufacturers names and part numbers are used for identification purposes only, and we are in no way implying that our products are original equipment parts. Prices subject to change without notice.



# Replaces Toro Reelmaster 5100-D Parts

*Verti-Cut Unit - Model 03516*

*Left-Hand Groomer Kit - Model 03810*



Item No	R&R Part No.	OEM Part No.	Description	Qty Req	Order Quantity
86	<b>R302-5</b>	21-6010, 302-11, 302-37, 302-47, 302-5, 302-57, 302-58, 302-6, 31-0300, 32-9660, 60-0800, 62-3880, 92-4181	Fitting - Grease	1	
87	<b>R237-22</b>	107-8844, 237-22, 237-78	O-Ring	1	
88	<b>R32127-46</b>	32127-46, 3296-60	Locknut	2	
89	<b>R32151-60</b>	32151-60	Ring - Snap	1	
90	<b>R32128-21</b>	32128-21	Locknut - Flanged 3/8-16 Whiz Top Lock	1	
91	<b>R101526</b>	01-150-0970, 01-178-0620, 20-53-AGD, 321-11, 3224-8, 323-11, 323-12, 323-31, 323-4, 323-47	Bolt - Hex HD 3/8-16 x 2-1/2 GR5	4	

All original equipment manufacturers names and part numbers are used for identification purposes only, and we are in no way implying that our products are original equipment parts. Prices subject to change without notice.



# Replaces Toro Reelmaster 5100-D Parts

*Verti-Cut Unit - Model 03516*

*Left-Hand Groomer Kit - Model 03810*



Item No	R&R Part No.	OEM Part No.	Description	Qty Req	Order Quantity
92	<b>R453011</b>	01-166-0100, 01-166-0120, 01-166-0270, 01-166-0500, 01-166-0600, 01-166-0620, 132-4593, 2356-3, 237-12, 24-10-AD, 24-11-AD, 24-11-BD, 24-12-AD, 24-12-BD, 30-9310, 32-8190, 3256-24, 3256-3, 3256-36, 3256-4, 453011, 47-9950, 48-9220, 513458, 7-0052	Washer - Flat 3/8 SAE Y/Zinc	8	

All original equipment manufacturers names and part numbers are used for identification purposes only, and we are in no way implying that our products are original equipment parts. Prices subject to change without notice.